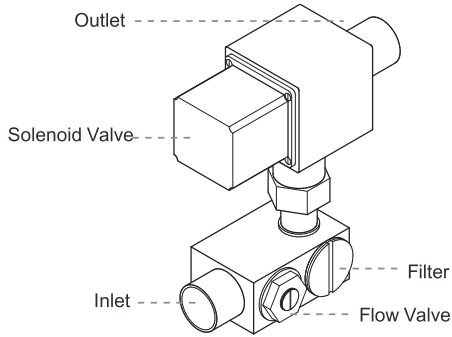


COMPONENTS

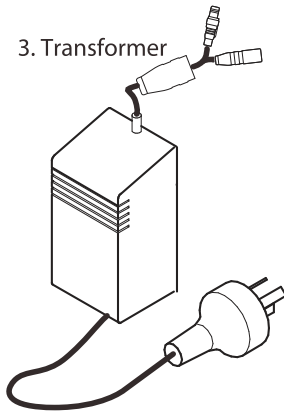
1. Solenoid Valve



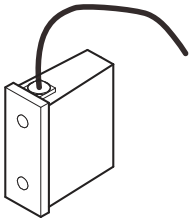
2. DC Battery box



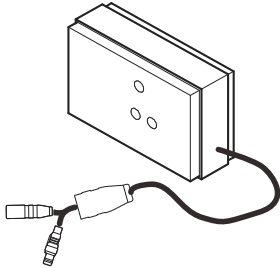
3. Transformer



4. Sensor box



5. Control Panel box



IN-WALL INSTALLATION

