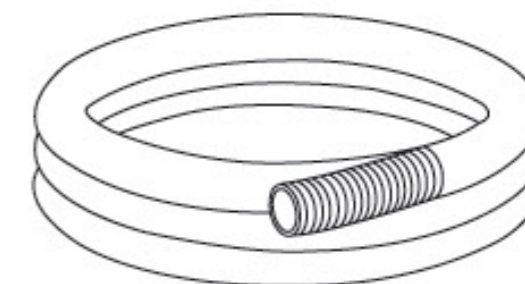
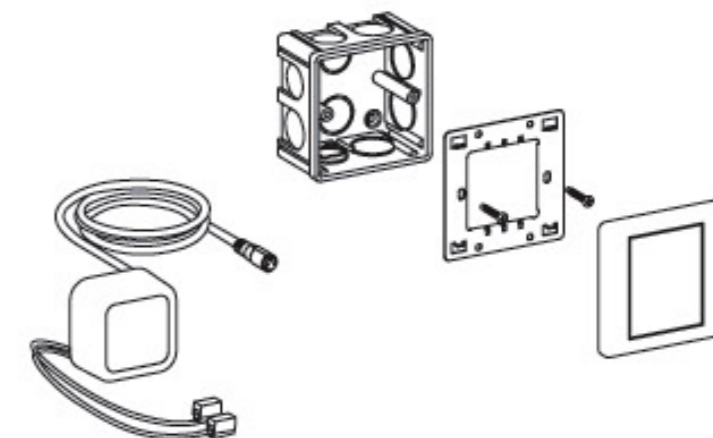


## FEATURES & BENEFITS

- Stunning LED and Glass display
- Hands Free sensor dual flush
- Hand swipe sensor activation
- Automatic 72 hour hygiene flush
- Automatic activation if not flushed
- Manual over ride function
- In-wall cistern with front access
- AC power transformer
- Accessible bathrooms
- 4 STAR WELS water rating

**Warning:** This is an electronic device, please take care when plugging in connections make sure the pins line up and when removing plugs hold the plug not the wire to take apart.



### Enviro-Tech Australia

ABN 48 149 736 667  
P.O. Box 458, Clayfield 4011  
Queensland  
Phone: 1 300 530 883  
Fax: 1 300 985 668  
Email: [info@enviro-tech.com.au](mailto:info@enviro-tech.com.au)  
[www.enviro-tech.com.au](http://www.enviro-tech.com.au)

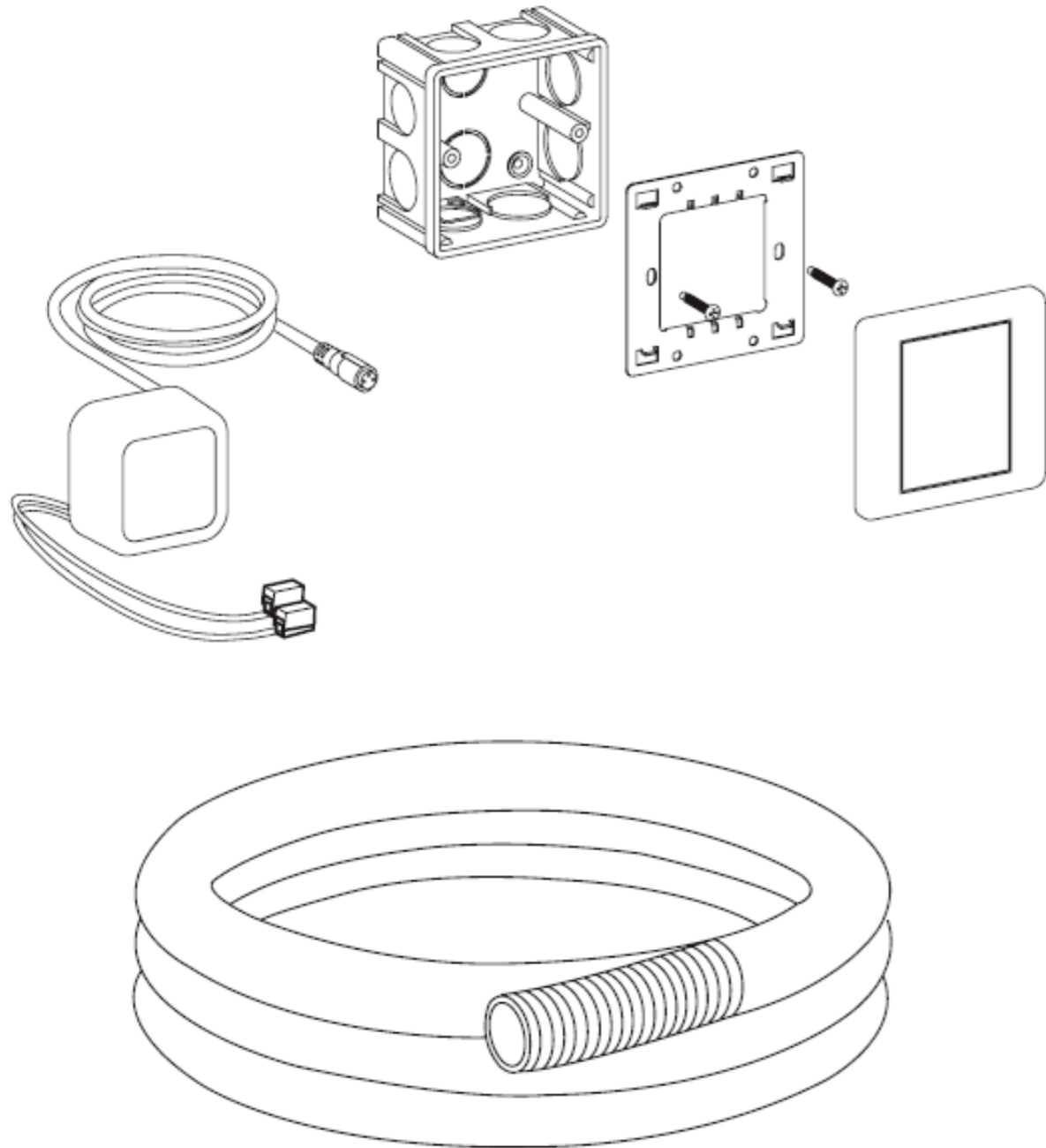
### Enviro-Tech New Zealand

P.O. Box 6208 Marion Square  
Wellington 6141  
Phone: 0800 2 ENVIRO (0800 2 368476)  
Fax: 04 974 7142  
Email: [info@enviro-tech.co.nz](mailto:info@enviro-tech.co.nz)  
[www.enviro-tech.co.nz](http://www.enviro-tech.co.nz)



■ ET4-40P

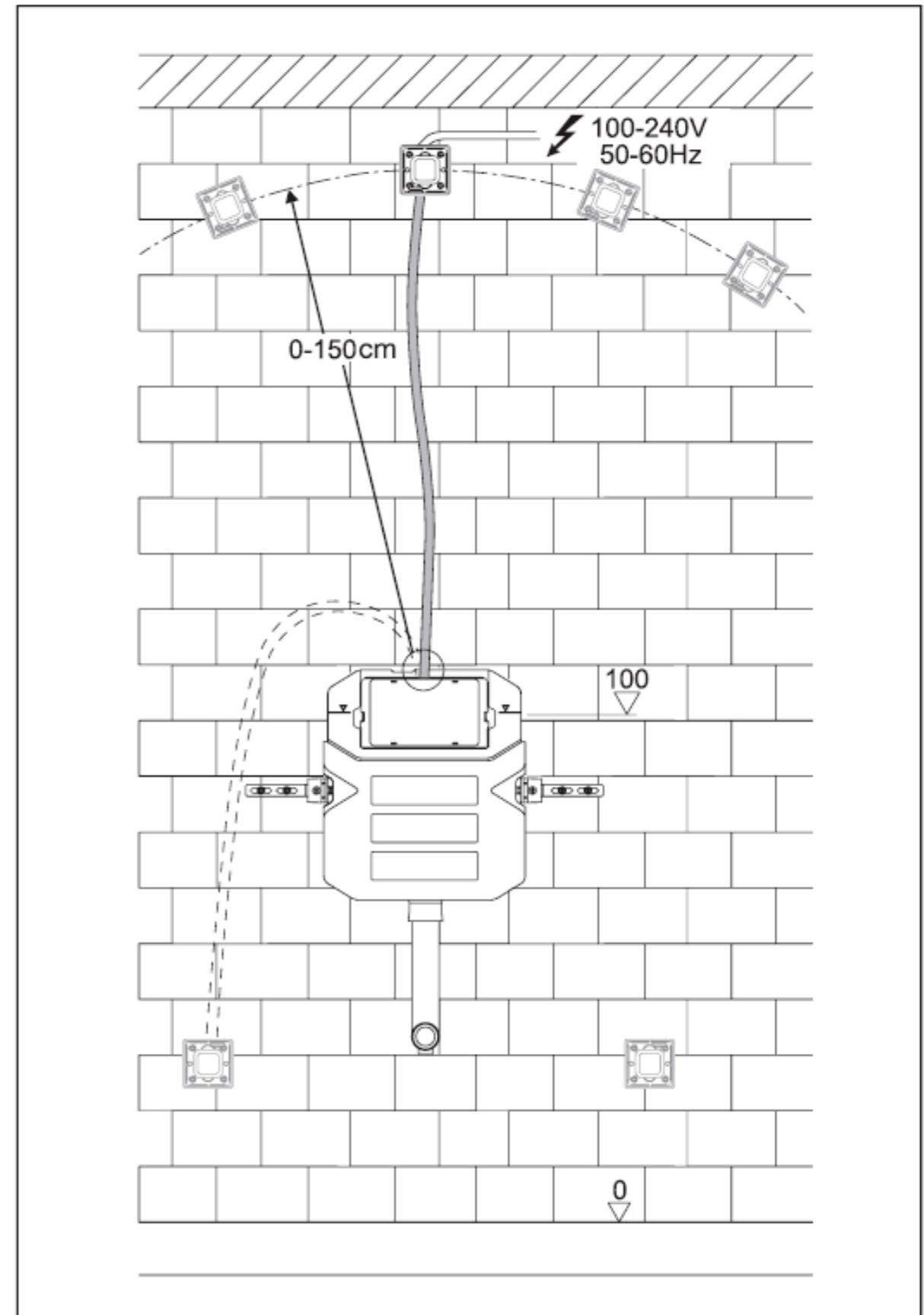
**TOILET SENSOR PLATE**  
INSTALLATION INSTRUCTIONS



# Installation

■ ET4-40P

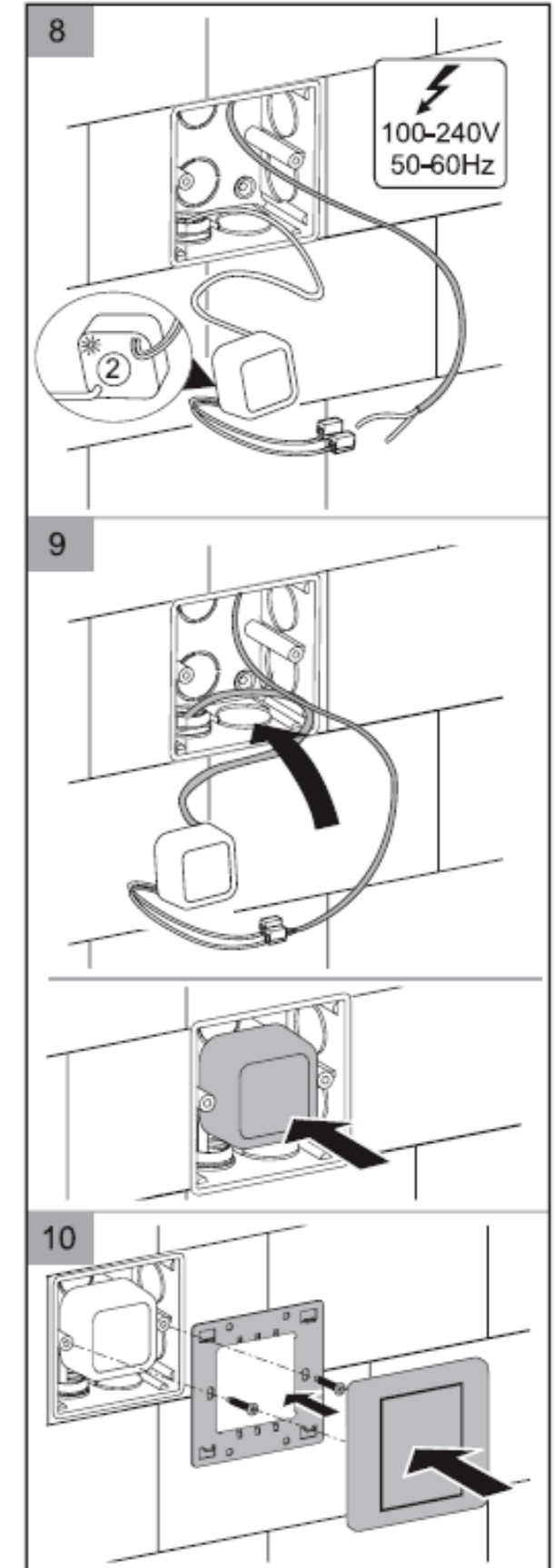
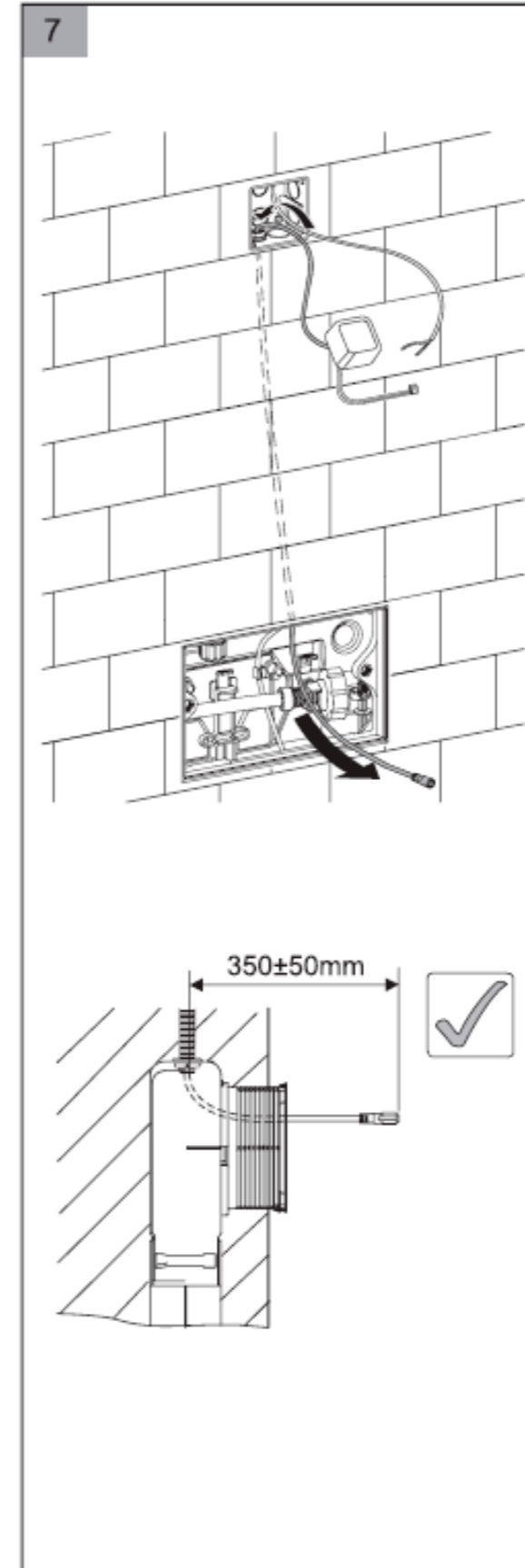
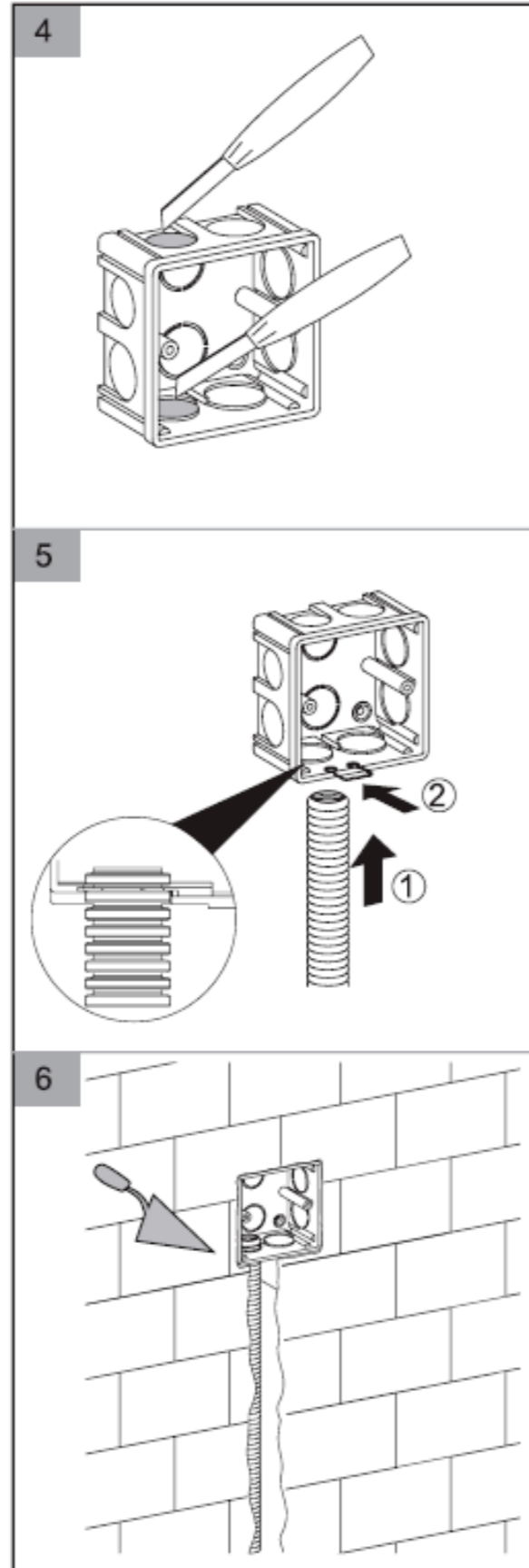
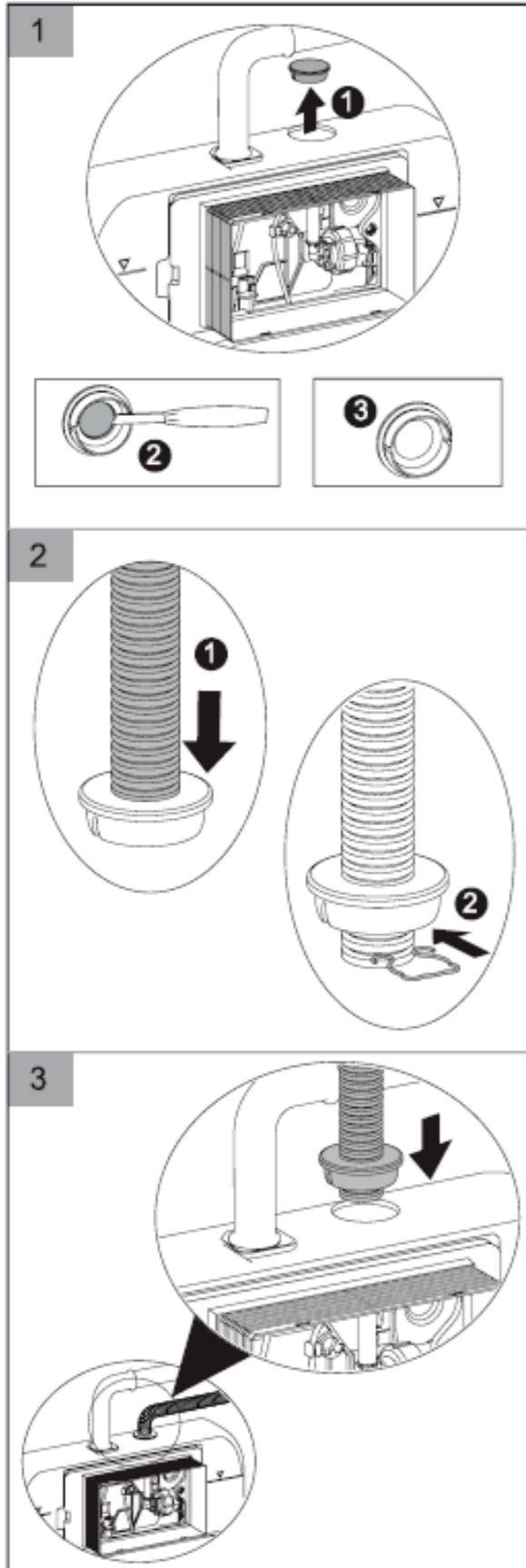
**TOILET SENSOR PLATE**  
INSTALLATION INSTRUCTIONS



**ET4-40P**  
**TOILET SENSOR PLATE**  
 INSTALLATION INSTRUCTIONS



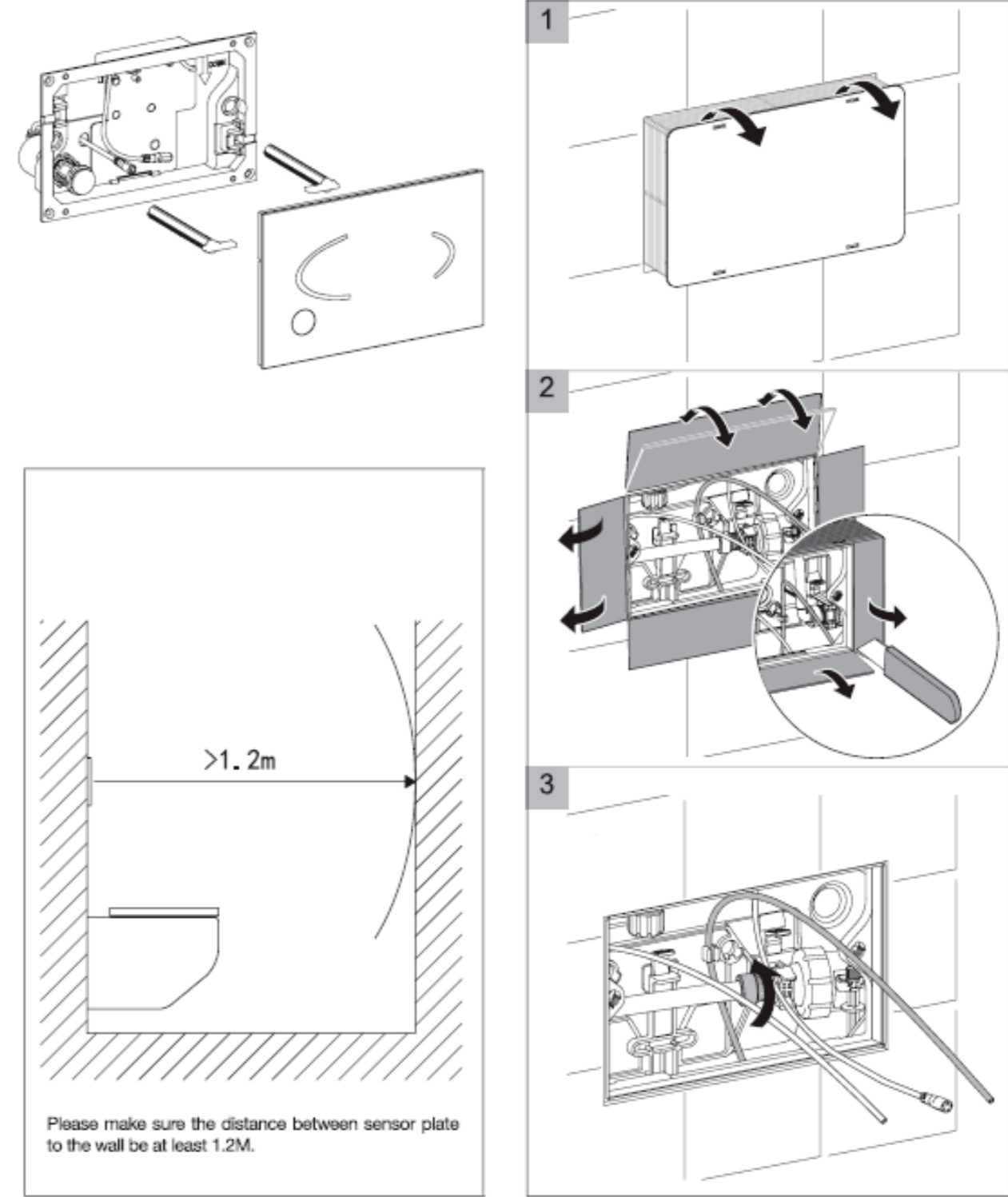
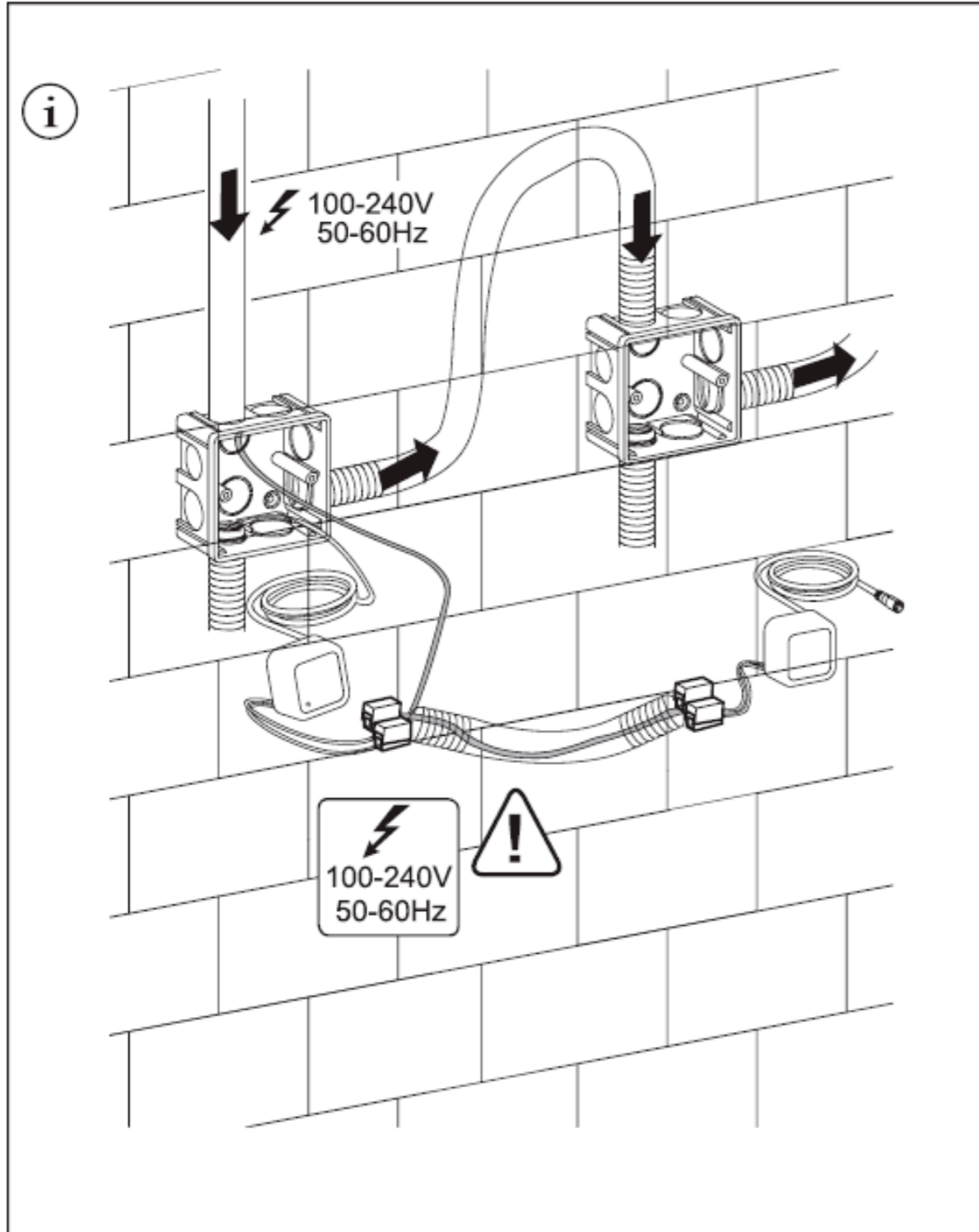
**ET4-40P**  
**TOILET SENSOR PLATE**  
 INSTALLATION INSTRUCTIONS



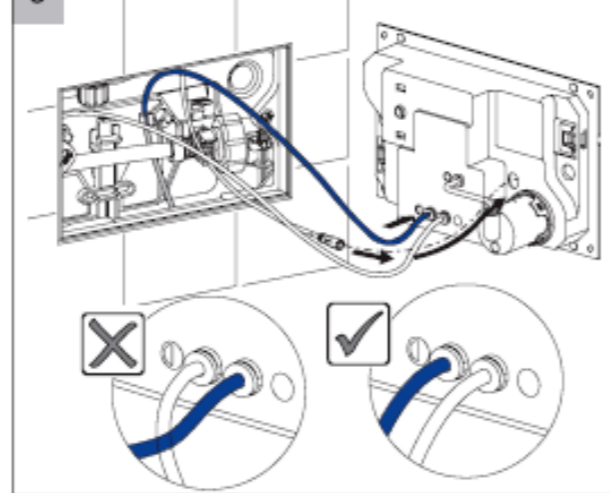
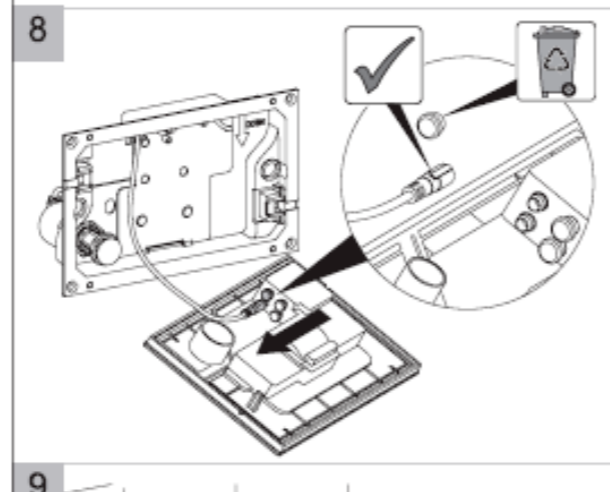
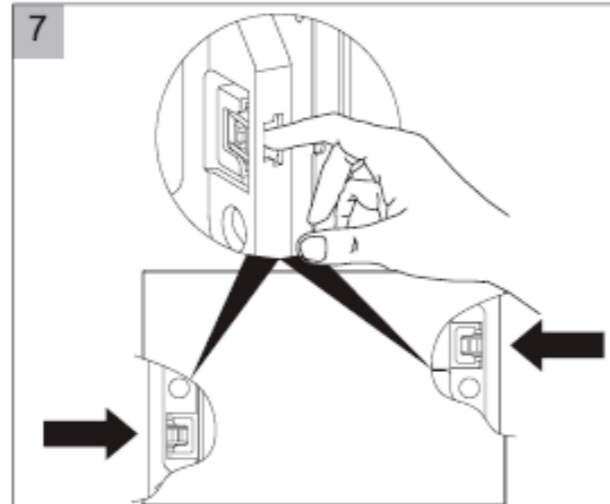
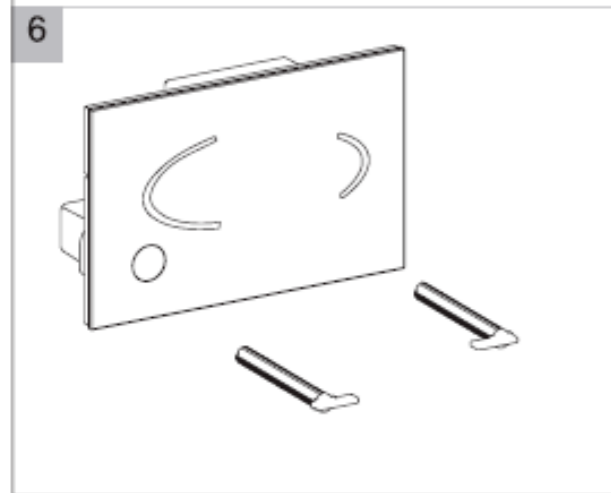
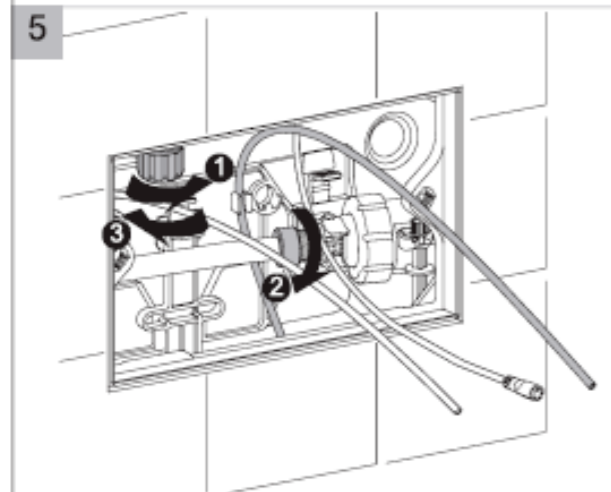
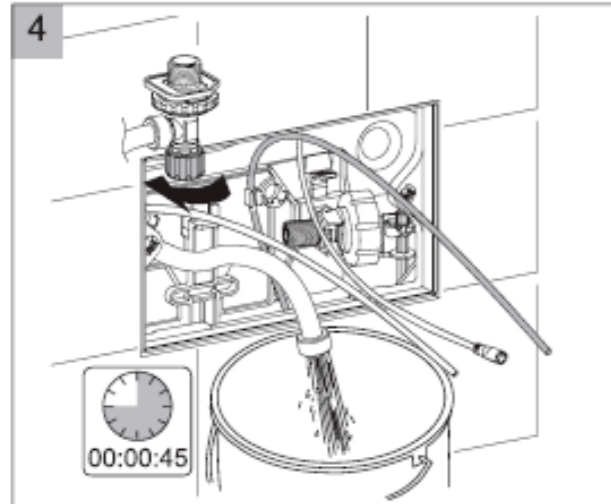
**ET4-40P**  
**TOILET SENSOR PLATE**  
 INSTALLATION INSTRUCTIONS



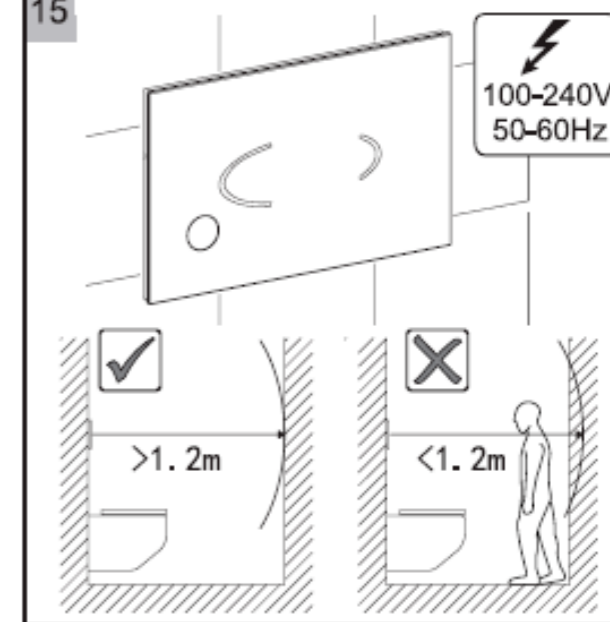
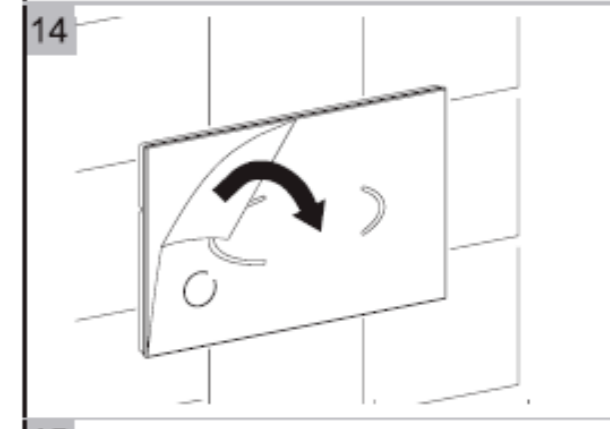
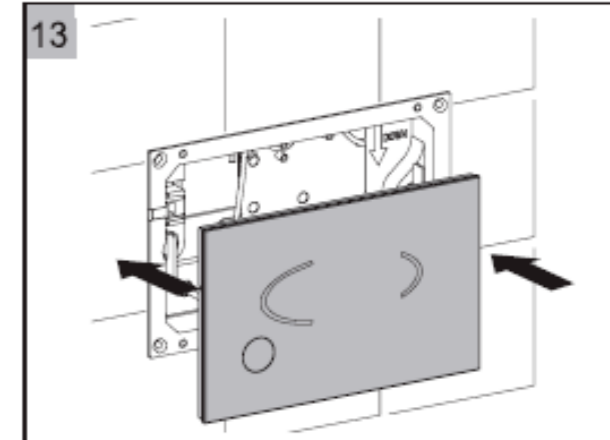
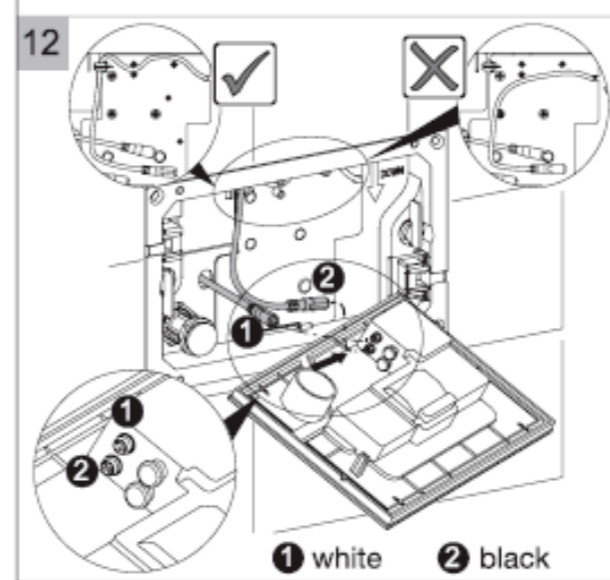
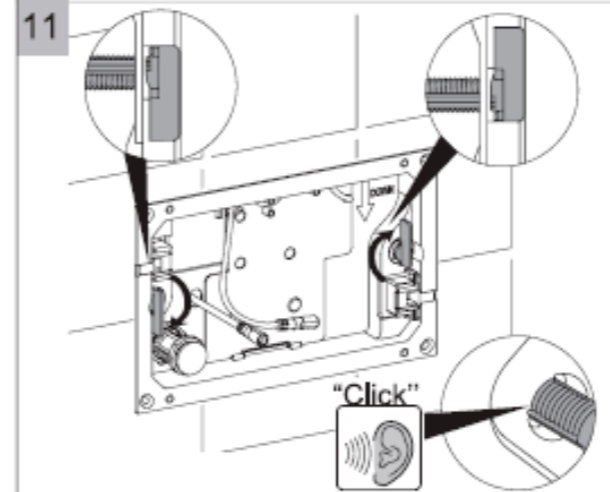
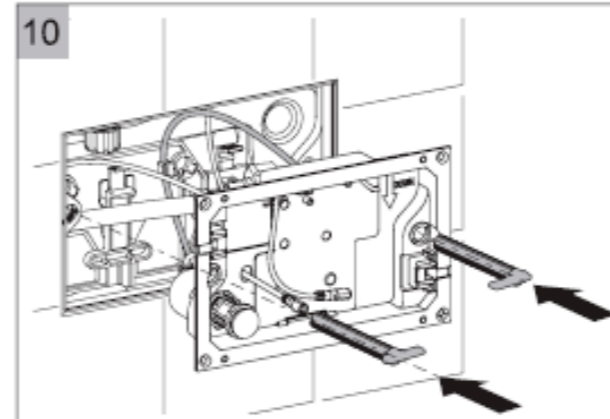
**ET4-40P**  
**TOILET SENSOR PLATE**  
 INSTALLATION INSTRUCTIONS



**ET4-40P**  
**TOILET SENSOR PLATE**  
 INSTALLATION INSTRUCTIONS



**ET4-40P**  
**TOILET SENSOR PLATE**  
 INSTALLATION INSTRUCTIONS



**ET4-40P**  
**TOILET SENSOR PLATE**  
 INSTALLATION INSTRUCTIONS



Check automatic flushing

<p>1</p>	<p>Plate detection time of 8sec.</p>
	<p>Plate detection zone of 1.2M.</p>
	<p>If user leaves the 1.2M detection zone without selecting half flush or full flush the automatic flush will activate after 3 seconds by lighting the full flush and flushing the toilet.</p>
	<p>7 seconds after leaving the 1.2M sensor zone the full flush light will turn off.</p>

**ET4-40P**  
**TOILET SENSOR PLATE**  
 INSTALLATION INSTRUCTIONS



Check manual flushing

<p>1</p> <p>User approaches sensor plate within 1M.</p>	<p>3</p>
<p>Full and half flush light both turn on.</p>	<p>4</p> <p>Confirm half flush.</p>
<p>2</p> <p>Confirm full flush.</p>	<p>5</p> <p>Press button to activate manual flush.</p>

# ET4-40P

## TOILET SENSOR PLATE DISASSEMBLY AND MAINTENANCE



**1**

**2**

Press the release catches on either side of the plate with a small screwdriver.

**3**

Take down glass plate.

**4**

Check if plugs are connected correctly, remove plugs and and replug if in doubt.

**5**

Take down glass plate and unplug wires connecting it. Rotate securing leavers.

# ET4-40P

## TOILET SENSOR PLATE DISASSEMBLY AND MAINTENANCE



**6**

Remove leavers and take out bracket.

**7**

Check if vacuum pipes behind bracket are connected correctly.

**8**

Take out power adapter.  
Attention: the following steps can be executed only by professional!

**9**

Check if indicator light is bright. If not, check if wires are connected to quick connector right. And then check if wires are connecting to power supply normally. If all wires are connected right, please contact dealer to repair.

Plate should work normally after these steps. If not, please contact supplier to repair.

## ET4-40P

### TOILET SENSOR PLATE

DISASSEMBLY AND MAINTENANCE



Trouble Shooting		
Problem	Solutions	Steps
1. Light is out and toilet doesn't flush.	Confirm if power wire(with white plug) is connected correctly. Check if power adapter works normally meaning the indicator light in adapter is bright.	4 8, 9
2. Light is bright but toilet doesn't flush.	Check if signal wire(black plug) is connected correctly. Check if vacuum pipe is connected correctly.	4
3. Light is bright but full and partial flush interchange.	Check if thick and thin vacuum pipe are connected correctly.	7
4. Manual button doesn't work.	Check if manual vacuum pipe is connected correctly.	

## ET4-40P

### TOILET SENSOR PLATE

WARRANTY AND CONDITIONS

#### 1 Year Parts Warranty

This parts warranty covers this product against manufacturing faults in the construction, material and assembly of products for a period of 1 year from the date of purchase.

#### Warranty Conditions

This parts only warranty will apply only under all of the following conditions:

- The item has been installed by a licensed plumber
- The item has been installed for and subjected to domestic residential use only
- Failure is due to a fault in the manufacture of the product
- Proof of purchase (including the date of purchase) is provided
- The installation of the product is in accordance with the instructions provided

#### This warranty does not include faults caused by:

- Unsuitable or improper use
- Normal wear and tear
- Inadequate or complete lack of maintenance
- Chemical, electrochemical or electrical influences
- Harsh detergents or abrasive cleaners used on product finishes

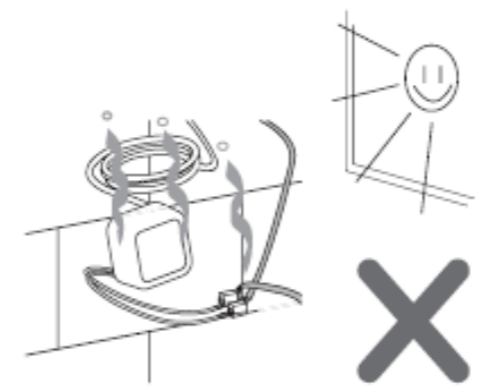
## ET4-40P

### TOILET SENSOR PLATE

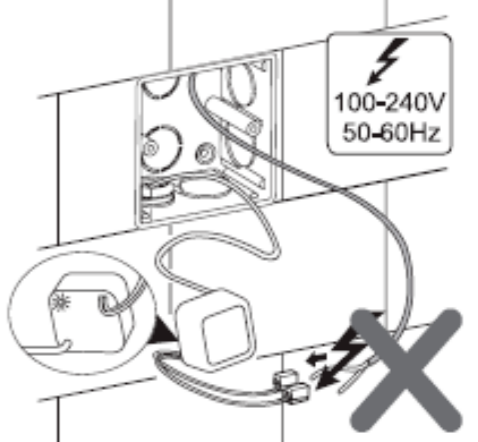
SAFETY INSTRUCTIONS



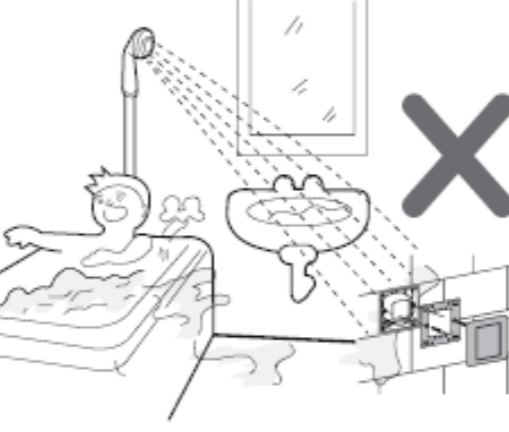
● The adapter can't be installed exposed, especially under the sunlight.



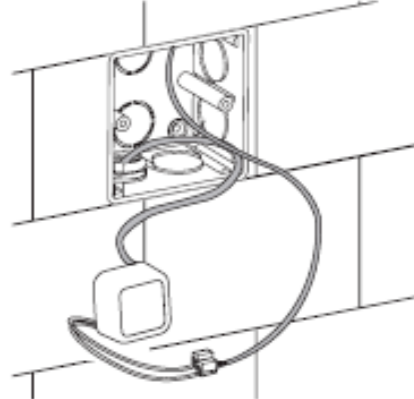
● Any operation is disallowed when adapter is connecting to power supply.



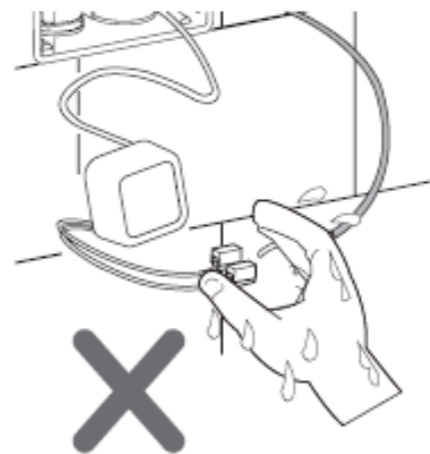
● The adapter can't be installed in wet surroundings.



● The size of rigid wire should be 1,0~2,5mm² and the wire connector should be connected firmly.



● Operating with wet hands is forbidden.



● Disassemble the product is forbidden.

