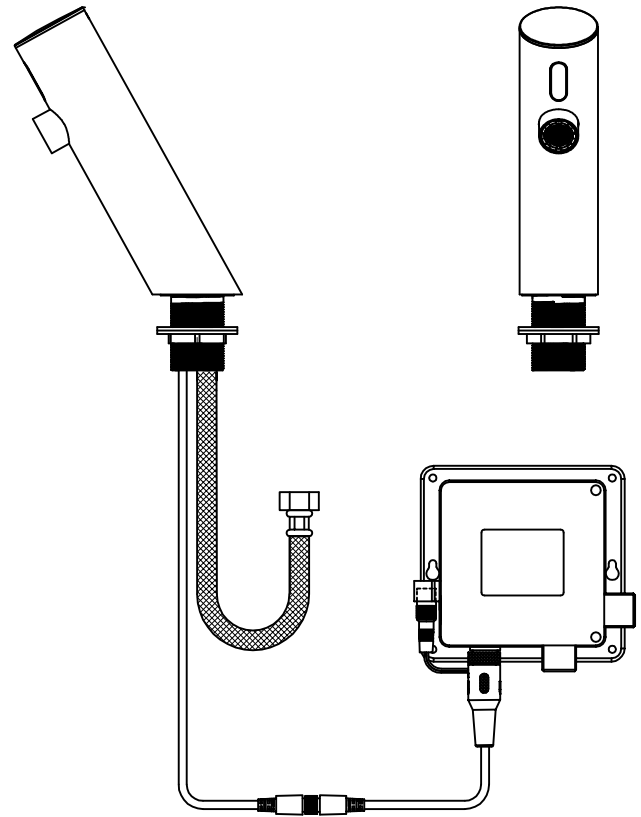


Note: Install aperture  $\text{Ø}33\text{-}\text{Ø}35\text{mm}$



Drawn by **Scott Chen**

www.enviro-tech.com.au  
 ET Australia 1 300 530 883  
 ET New Zealand 0800 2 368476

**ET2-97**

**Unit:mm**